

*Carron*



SIMPLY SOME OF THE FINEST  
FIREPLACES AVAILABLE

Contents:	Pages:
Combinations	3 - 24
Inserts	25 - 41
Baskets	42 - 43
Hob Grates	44
Surrounds	45 - 79
Hearths	80
Tiles	81 - 83



### Specifications

Please note all measurements are approximate and may vary slightly. Please allow a tolerance of plus/minus 10mm. We endeavour to ensure that all colours are as accurate as possible, however we recommend you check with your retailer before placing an order.

### Solid Fuels

If using solid fuels please be aware that they will discolour polished or brass products. If this is a concern we recommend selecting a full black finish. Do not use anthracite or petroleum coke as this will significantly reduce the life of the product.

### Fitting

The fitting of our products must be carried out or supervised by a Hetas qualified solid fuel engineer. We accept no responsibility for any products that are not installed in this way. A list of qualified engineers is available from [www.hetas.co.uk](http://www.hetas.co.uk)

### Care of your Fireplace

To keep your fireplace in prime condition, please follow these simple care instructions:-

#### For Full Polish Finish:-

Keep oiled using a thin coat of a light oil such as 3 in 1 oil. This treatment should be carried out twice a year or as required. Any surface rust should be removed using a fine wire wool and then re-oiled. Avoid exposing the cast iron surface to moisture.

#### For Highlight/Black Finish:-

Coat with an iron paste and buff up to enhance the finish of your fireplace. Do not use spray polish or any other method of cleaning than above. Cast iron is a natural material, which is subject to minor imperfections and should be considered part of its characteristic. We reserve the right to amend designs without prior notification. Please consult your retailer prior to placing an order.

### Gas Fires

All our gas fires are manufactured in the UK and comply to all CE requirements and British standard BSEN509:2000. They come complete with flame failure device and oxygen depletion system. All gas fires must be fitted by a Gas Safe registered installer.

Due to the limitation of the printing process/photography, please note that colours may vary from the actual finish.

# The Abbot Combination

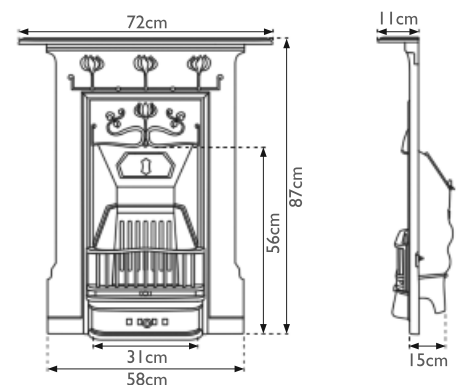


Code: **HEF192** Finish: **Highlight Polish**  
Ashpan: **HEF039** Hearth: **HEF281**  
No gas fire available with this insert

The Abbot is an Art Nouveau cast iron fireplace that combines an elegantly simplistic design with an impressively imposing presence. The fireplace's smooth frame combines with a classic triple tulip detail beneath the shelf and a decorated curved canopy.



Also Available:  
Code: **HEF193** Finish: **Full Polish**



# The Abingdon Combination

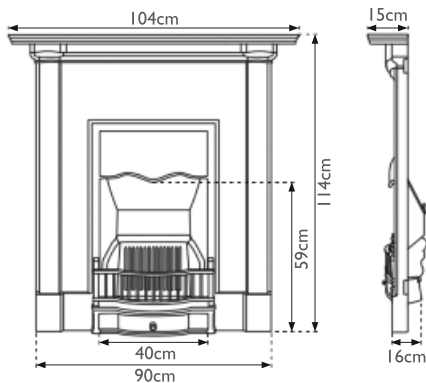


Also Available:  
Code: **HEF354** Finish: **Black**



Code: **HEF355** Finish: **Full Polish**  
Ashpan: **HEF037** Hearth: **HEF283**  
Gas Fire available to suit: **NUF035** Flue Type: **Class 1 or 2**  
Gas Fire Heat Input: **6.9kw**

The Abingdon cast iron fireplace is a Victorian design with a stylishly simplistic finish. The Abingdon provides a traditional shape with a bold appearance and a flat mantel. The curved base of the canopy provides an added quirk to the classic shape of the fireplace's frame.

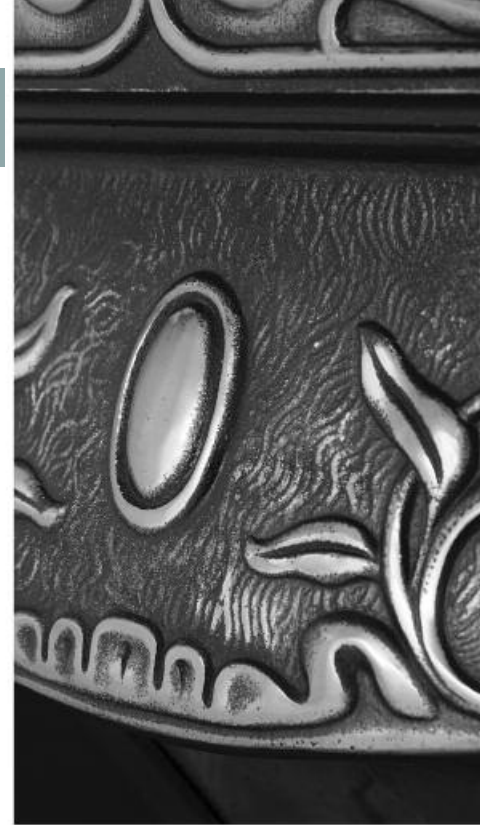


# The Bella Small Combination

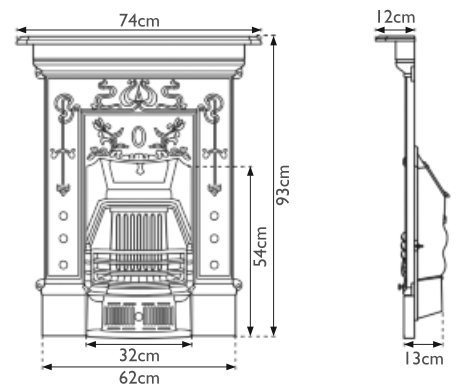


Code: **HEF359** Finish: **Full Polish**  
Ashpan: **HEF039** Hearth: **HEF281**  
No gas fire available with this insert

The Bella is a cast iron fireplace in the Art Nouveau style, with stylistic patterning that runs along the frieze and framing. The artistic canopy offers a masterfully textured design with floral patterning. At 93cm x 74cm, it is more suited to the smaller rooms of a household than, in comparison, the Bella Large Combination. (106cm x 104cm)



Also Available:  
Code: **HEF360** Finish: **Black**



# The Bella Combination



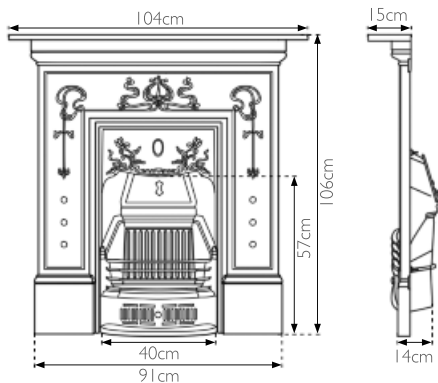
Also Available:  
Code: **RX060** Finish: **Full Polish**



Code: **RX090** Finish: **Black**

Ashpan: **HEF037** Solid Fuel Brick: **RX214** Hearth: **HEF282**  
Gas Fire available to suit: **NUF010** Flue Type: **Class 1 or 2**  
Gas Fire Heat Input: **6.3kw**

The Bella is a cast iron fireplace in the Art Nouveau style, with stylistic patterning that runs along the frieze and framing. The artistic canopy offers a masterfully textured design with floral patterning.



# The Crocus Combination

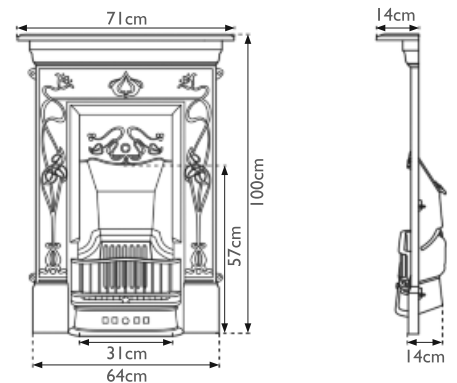


Code: **RX066** Finish: **Full Polish**  
Ashpan: **HEF039** Hearth: **HEF281**  
Gas Fire available to suit: **NUF017** Flue Type: **Class 1 or 2**  
Gas Fire Heat Input: **6.3kw**

The Crocus is a cast iron fireplace in the Art Nouveau style. The impressive design consists of a stemmed flower detail along the length of the frame, wearing either side of a tall, narrow opening and a meticulously detailed canopy with a textured finish.



Also Available:  
Code: **RX247** Finish: **Black**

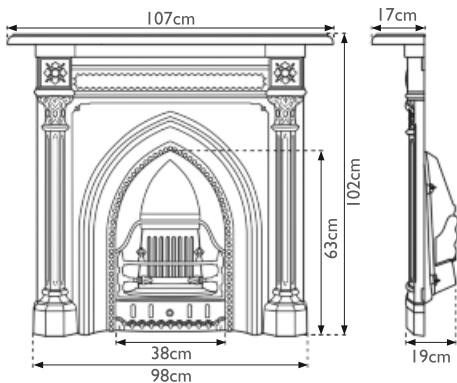


# The Gothic Combination



Code: **HEF055** Finish: **Highlight Polish**  
Ashpan: **HEF037** Hearth: **HEF283**  
No gas fire available with this insert

The Gothic Revival style cast iron fireplace is elegantly simplistic, with a commanding archway that is decorated with an impressive replicated design. The highlighted columns are striking in their presence, based on bold feet, and joined with a gothic patterning beneath the shelf.



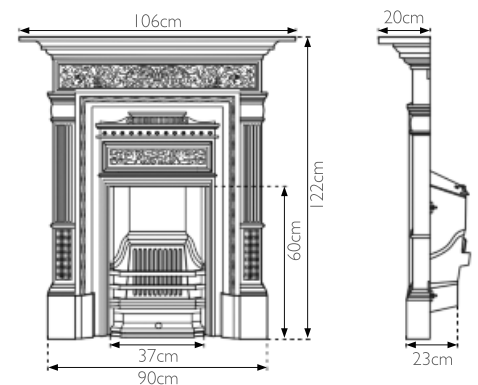


# The Hamden Combination

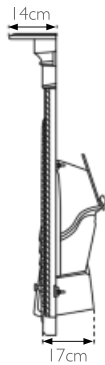
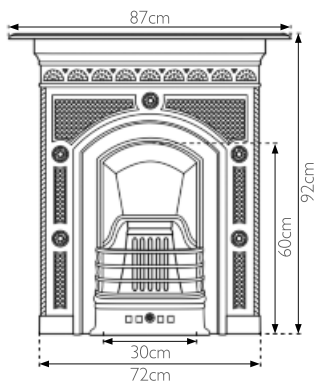


Code: **RX163** Finish: **Black**  
Ashpan: **HEF037** Hearth: **HEF282**  
Gas Fire available to suit: **NUF073** Flue Type: **Class 1 or 2**  
Gas Fire Heat Input: **6.9kw**

The Hamden is a Victorian cast iron fireplace with spectacular detailing throughout. The detailed floral design beneath the fireplace's shelf is matched in the canopy, adding elegance to the striking beading and mosaic detailing that fills both the exterior and interior frame.



# The Hawthorne Combination



Code: **RX139** Finish: **Black**

Ashpan: **HEF039** Hearth: **HEF281**

Gas Fire available to suit: **NUF065** Flue Type: **Class 1 or 2**

Gas Fire Heat Input: **6.3kw**

The Hawthorne is a Georgian cast iron fireplace that displays wonderful attention to detail. The repeated artistic finish within the framing of a half-arched opening is divided perfectly by a circular flower design, a feature which is matched by the half-flowers that reappear beneath the fireplace's curved overhanging shelf.

# The Jasmine Combination

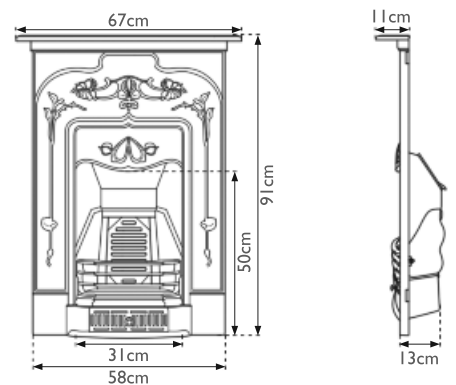


Code: **HEF044** Finish: **Full Polish**  
Ashpan: **HEF039** Hearth: **HEF281**  
Gas Fire available to suit: **NUF040** Flue Type: **Class 1 or 2**  
Gas Fire Heat Input: **6kw**

The Jasmine is an Art Nouveau Style cast iron fireplace, framed beautifully with an orchid stem design and an elegantly detailed canopy.



Also Available:  
Code: **HEF247** Finish: **Black**



# The Jekyll Combination

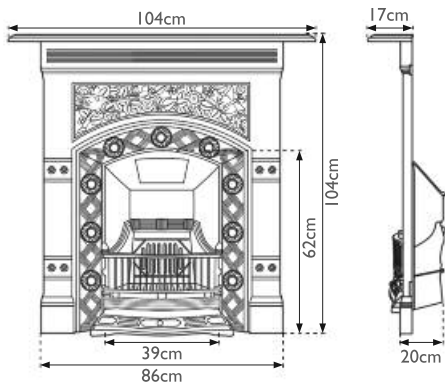


Also Available:  
Code: **HEF403** Finish: **Black**

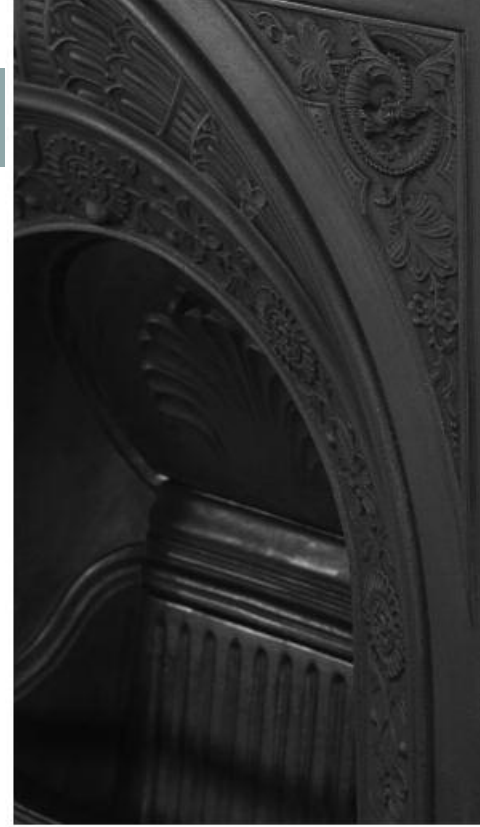


Code: **HEF056** Finish: **Full Polish**  
Ashpan: **HEF037** Hearth: **HEF283**  
Gas Fire available to suit: **NUF023** Flue Type: **Class 1 or 2**  
Gas Fire Heat Input: **6.3kw**

The surround to the Jekyll cast iron fireplace acts as a striking frame to a stunning Victorian design. The decorative artwork beneath the shelf features birds and butterflies amidst detailed foliage, while the half-archway is bordered by a classic weave and pendant combination.



# The Knaresborough Combination



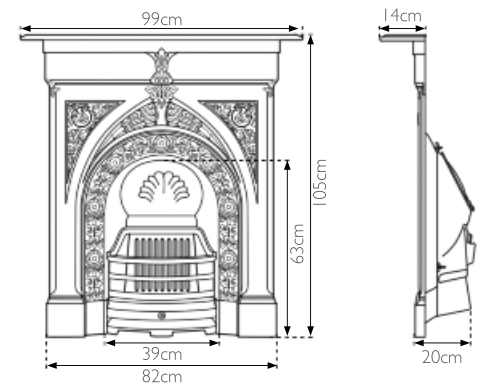
Code: **RX140** Finish: **Black**

Ashpan: **HEF037** Hearth: **HEF282**

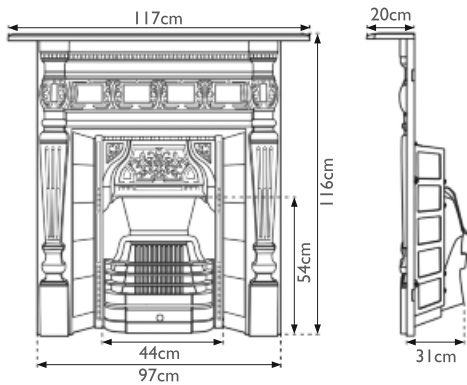
Gas Fire available to suit: **NUF066** Flue Type: **Class 1 or 2**

Gas Fire Heat Input: **6.3kw**

The Knaresborough cast iron fireplace is a combination of a Victorian design with Gothic features. The elaborate sunflower artwork surrounds a rounded arch and is accompanied by an adjoining canopy. The attractive design is complimented by features in each corner, sitting below the fireplace's broad shelf.



# The Lambourn Combination



Code: **RX160** Finish: **Black**

Tiles Shown: **LGC067** Ashpan: **HEF036** Hearth: **HEF283**

Gas Fire available to suit: **NUF072**

Flue Type: **Class 1 or 2** Gas Fire Heat Input: **6.95kw**

The Lambourn cast iron tiled fireplace is a Victorian design with a collection of striking features. The framed rectangular panels that sit beneath the large shelf is accompanied by a hooded canopy with wonderful detail. The uniquely shaped legs stand beside inner tile holders and add to the striking nature of the fireplace.

# The Melrose Combination

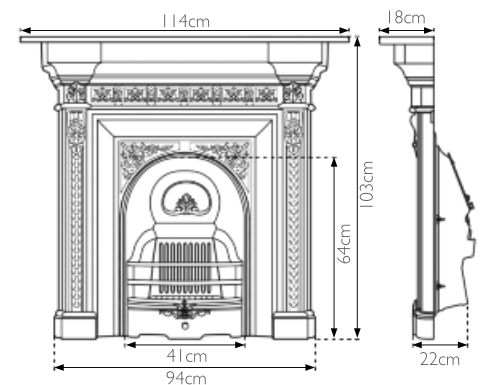


Code: **RX094** Finish: **Full Polish**  
Ashpan: **HEF037** Hearth: **HEF283**  
Gas Fire available to suit: **NUF035** Flue Type: **Class 1 or 2**  
Gas Fire Heat Input: **6.9kw**

The Melrose cast iron fireplace is designed in the Victorian style, with a narrow arch that is complimented beautifully by the intricate floral artwork at each corner. The repeated leaf pattern within the framework and below the shelf is striking.



Also Available:  
Code: **RX249** Finish: **Black**



# The Morris Combination

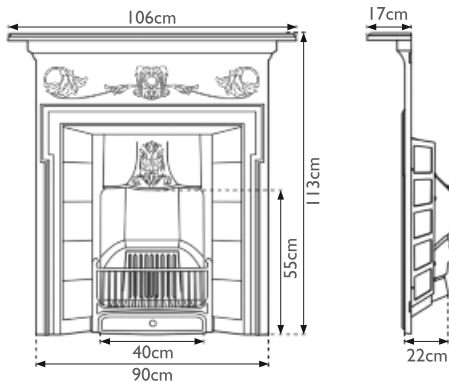


Also Available:  
Code: **RX132** Finish: **Black**  
Tiles Shown: **LGC083**



Code: **RX131** Finish: **Full Polish**  
Tiles Shown: **LGC083** Ashpan: **HEF037** Hearth: **HEF283**  
Solid Fuel Brick: **RX212** Gas Fire available to suit: **NUF069**  
Flue Type: **Class 1 or 2** Gas Fire Heat Input: **6.9kw**

The Morris cast iron tiled fireplace's floral detail acts as the centre point to an elegant Art Nouveau design, which is complimented by intricate floral detailing on a shaped canopy.





# The Oxford Combination

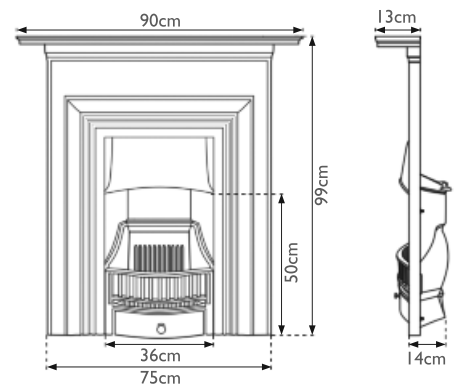


Also Available:  
Code: **HEF352** Finish: **Black**



Code: **HEF353** Finish: **Full Polish**  
Hearth: **HEF281**  
No gas fire available with this insert

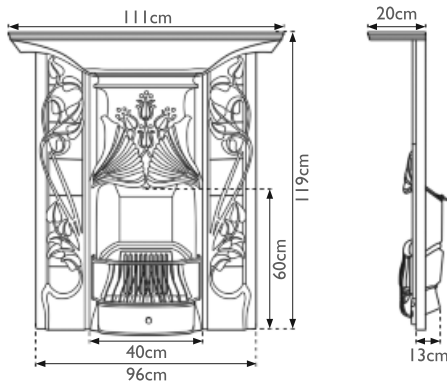
The Oxford is a cast iron fireplace in a Victorian design. Its simplistic design features a straight-lined framing, offering a classic appearance that would be suitable to any home.



# The Toulouse Combination



Also Available:  
Code: **RX254** Finish: **Black**  
Tiles Shown: **LGC080**  
(2 boxes required)



Code: **RX141** Finish: **Full Polish**  
Tiles Shown: **LGC065** (2 boxes required) Ashpan: **HEF037**  
Hearth: **HEF283** Gas Fire available to suit: **NUF067**  
Flue Type: **Class 1 or 2** Gas Fire Heat Input: **6.3kw**

The Toulouse cast iron fireplace boasts a magnificent tulip and leaves design in Art Nouveau style. The fireplace's unique vine artwork framing is complimented by partly visible tiles in a choice of colours that complete the background.

# The Tulip Combination



Code: **RX089** Finish: **Black**

Ashpan: **HEF037** Hearth: **HEF281** Solid Fuel Brick: **RX214**

Gas Fire available to suit: **NUF018**

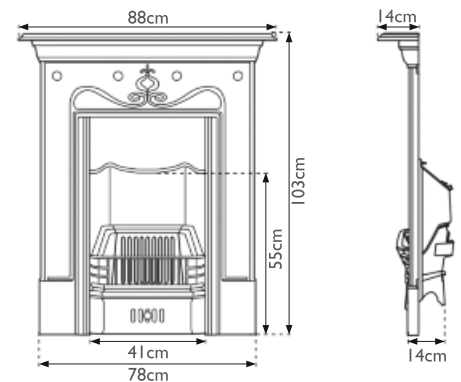
Flue Type: **Class 1 or 2** Gas Fire Heat Input: **6.3kw**

The Tulip is an understated Art Nouveau cast iron fireplace, with a classically simplistic design that presents a smooth frame and a shaped plain canopy. A classic tulip design sits attractively between the canopy and the shelf.



Also Available:

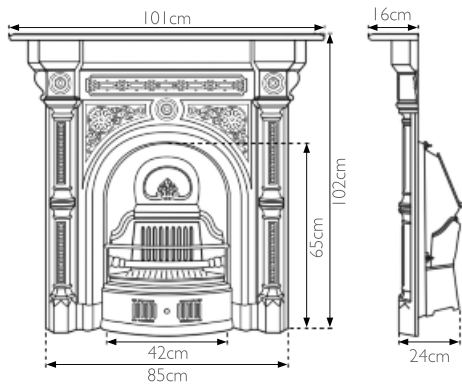
Code: **RX059** Finish: **Full Polish**



# The Tweed Combination



Also Available:  
Code: **RX084** Finish: **Black**

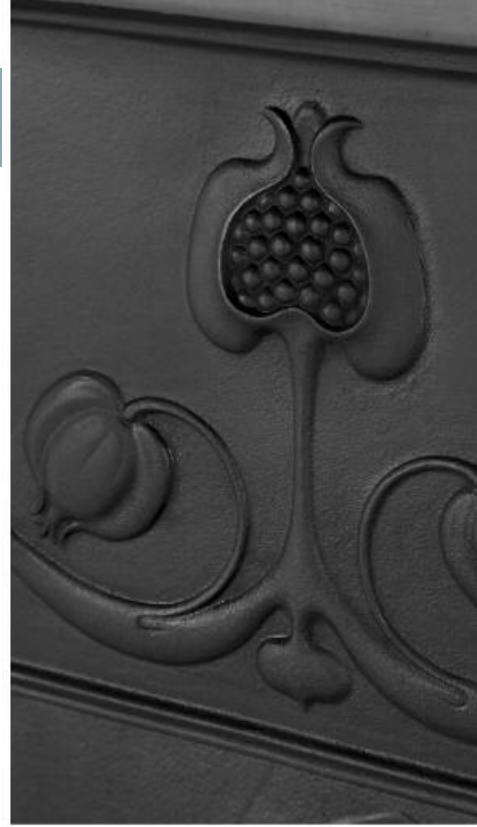


Code: **RX063** Finish: **Full Polish**

Ashpan: **HEF036** Solid Fuel Brick: **RX217** Hearth: **HEF282**  
Gas Fire available to suit: **NUF005** Flue Type: **Class 1 or 2**  
Gas Fire Heat Input: **6.95kw**

The Tweed is a Victorian style cast iron fireplace. Its numerous outstanding features include the chain link detail that highlights the fireplace's arch, framed majestically with a sunflower detail.

# The Valentine Combination



Also Available:  
Code: **RX133** Finish: **Full Polish**  
Tiles Shown: **LGC087**



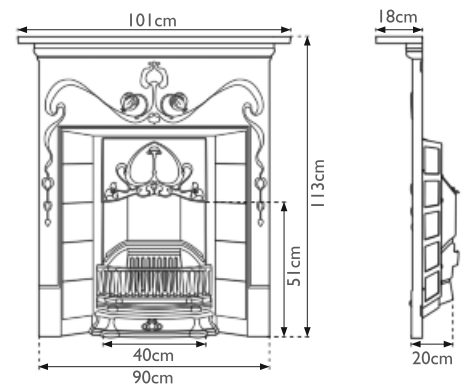
Code: **RX134** Finish: **Black**

Tiles Shown: **LGC087** Ashpan: **HEF037** Hearth: **HEF283**

Solid Fuel Brick: **RX212** Gas Fire available to suit: **NUF069**

Flue Type: **Class 1 or 2** Gas Fire Heat Input: **6.9kw**

The Valentine is an Art Nouveau cast iron fireplace, styled with a symmetrical pomegranate design that extends from the centre of the frieze to fill the legs of the framework. The design can be brought to life with the tube lined tiles that sit either side of the fireplace's artistic canopy.



# The Verona Combination

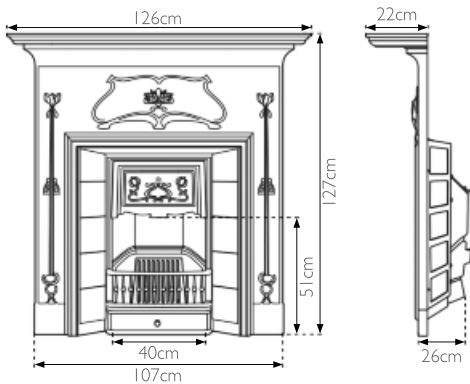


Also Available:  
Code: **RX138** Finish: **Full Polish**  
Tiles Shown: **LGC012**



Code: **RX246** Finish: **Black**  
Tiles Shown: **LGC011** Ashpan: **HEF037** Hearth: **HEF284**  
Gas Fire available to suit: **NUF071**  
Flue Type: **Class 1 or 2** Gas Fire Heat Input: **6.3kw**

The Verona is an Art Nouveau style cast iron tiled fireplace with a straight-stemmed floral design.



# The Victorian Small Combination

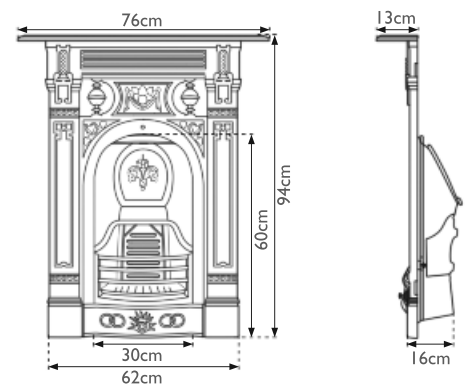


Code: **HEF043** Finish: **Full Polish**  
Ashpan: **HEF039** Hearth: **HEF281**  
No gas fire available with this insert

The Victorian style cast iron fireplace is perfect in size, design and stature for placement within smaller rooms of the home. It is designed with intricate fruit and urn artwork and a beautifully sunken archway.



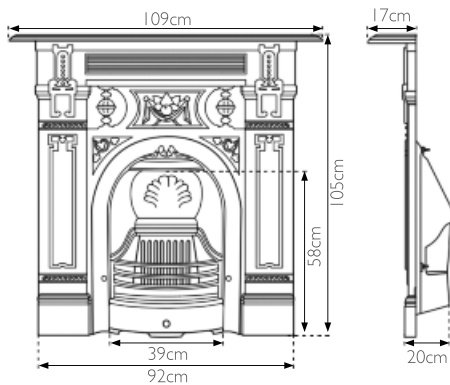
Also Available:  
Code: **HEF246** Finish: **Black**



# The Victorian Large Combination



Also Available:  
Code: **RX135** Finish: **Full Polish**



Code: **RX136** Finish: **Black**  
Ashpan: **HEF037** Hearth: **HEF283**  
Gas Fire available to suit: **NUF063** Flue Type: **Class 1 or 2**  
Gas Fire Heat Input: **6.3kw**

The Victorian style cast iron fireplace is designed with intricate fruit and urn artwork and completed with a beautifully sunken archway, complete with a small but striking canopy.



# The Beckingham Arched Insert

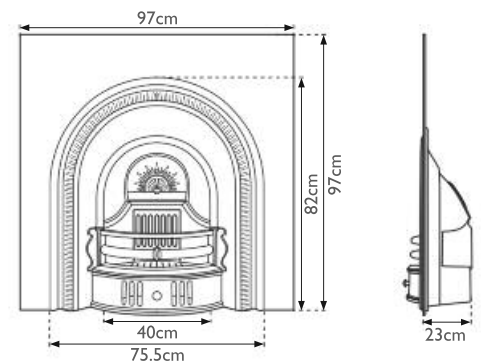


Also Available:  
Code: **RCM006** Finish: **Black**  
Surround: **TH554**



Code: **RCM003** Finish: **Highlight Polish** Surround: **TH554**  
Ashpan: **HEF037** Hearth: **HEF284**  
Gas Fire available to suit: **NUF080**  
Flue Type: **Class 1 or 2** Gas Fire Heat Input: **6.9kw**

The Beckingham is a cast iron fireplace insert that is sure to catch the eye. The small fireplace opening affords the insert the room to allow its spacious features to stand out. A large exterior frame combines with a smaller interior curve to frame an eccentrically patterned arch.



# The Ce Lux Insert

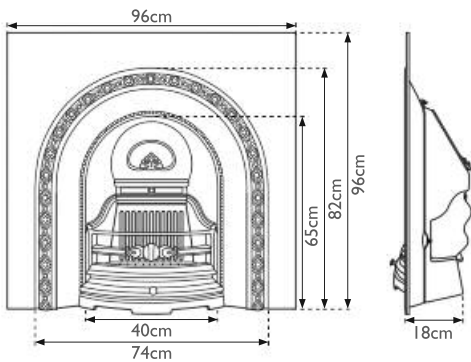


Also Available:  
Code: **HEF321** Finish: **Black**  
Surround: **TH557**



Code: **HEF304** Finish: **Highlight Polish** Surround: **TH557**  
Ashpan: **HEF036** Hearth: **HEF285** Solid Fuel Brick: **RX214**  
Gas Fire available to suit: **NUF069** Flue Type: **Class 1 or 2**  
Gas Fire Heat Input: **6.9kw**

The Ce Lux is a Victorian style cast iron fireplace insert. Beautifully intricate detailing surrounds the outer rim of a large arched opening, with an inner archway that is decorated with sophisticated beading.



# The Celtic Arch Insert

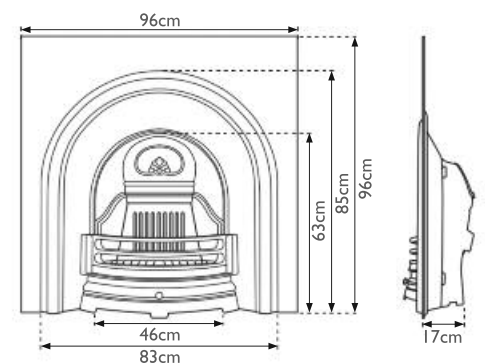


Also Available:  
Code: **RX204** Finish: **Black**  
Surround: **TH559**



Code: **RX010** Finish: **Highlight Polish** Surround: **TH559**  
Ashpan: **HEF036** Hearth: **HEF285** Solid Fuel Brick: **RX226**  
Gas Fire available to suit: **NUF001** Flue Type: **Class 1 or 2**  
Gas Fire Heat Input: **6.95kw**

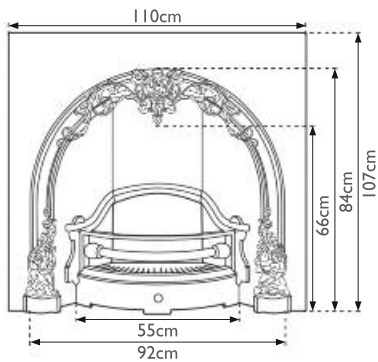
The Celtic Arch is a large cast iron fireplace insert in the Victorian style. It has a classically simple design, with a smooth finish that adds to the presence of the perfectly curved arch opening. The curved bars at the front of the opening match the style of the archway, giving the insert a complete feel.



# The Cherub Insert



Code: **RX145** Finish: **Highlight Polish** Surround: **RX101**  
Ashpan: **HEF038** Hearth: **HEF285** Solid Fuel Brick: **RX237**  
Gas Fire available to suit: **NUF068** Flue Type: **Class 1 only**  
Gas Fire Heat Input: **9kw**



The Cherub is a cast iron fireplace insert in the Georgian style, complete with a plain fascia and a wide arch opening. The arch is decorated with a floral vine detail running symmetrically along the edges, meeting at the top to frame a wonderful image. A cherub design sits atop block feet either side of the arch.

# The Coleby Arched Insert

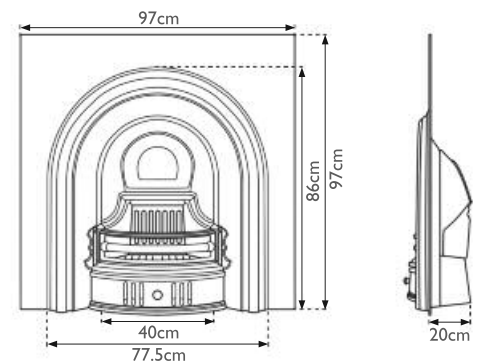


Also Available:  
Code: **RCM005** Finish: **Black**  
Surround: **SMC118**



Code: **RCM002** Finish: **Highlight Polish** Surround: **SMC118**  
Ashpan: **HEF036** Hearth: **HEF285**  
Gas Fire available to suit: **NUF082** Flue Type: **Class 1 or 2**  
Gas Fire Heat Input: **6.9kw**

The Coleby is a cast iron fireplace insert which is interesting in both its shape and decoration. The simple highlighted arch offers a minimalist yet classic design.



# The Collingham Arched Insert

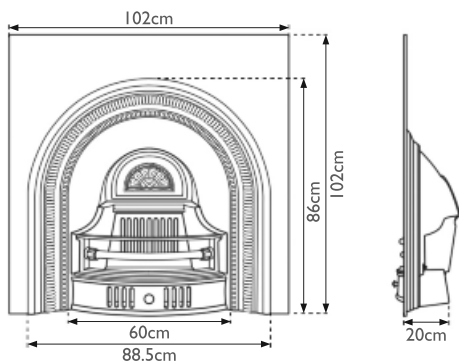


Also Available:  
Code: **RCM004** Finish: **Black**  
Surround: **SMC171**



Code: **RCM001** Finish: **Highlight Polish** Surround: **SMC171**  
Ashpan: **HEF036** Hearth: **HEF285**  
Gas Fire available to suit: **NUF081** Flue Type: **Class 1 or 2**  
Gas Fire Heat Input: **6.9kw**

The Collingham is a cast iron fireplace insert with a unique triple arch design that surrounds a beautifully shaped opening. The inner archway frames are decorated with variations on a toothed patterning, the designs of which are further emphasised by the highlight polish finish.

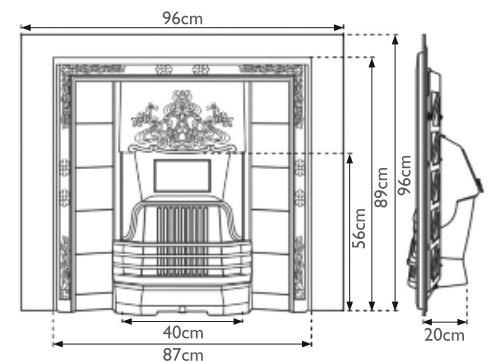


# The Daisy Insert



Code: **RX125** Finish: **Highlight Polish** Surround: **SMC011**  
Tiles: **LGC085** Ashpan: **HEF036** Hearth: **HEF285**  
Gas Fire available to suit: **NUF062** Flue Type: **Class 1 or 2**  
Gas Fire Heat Input: **6.9kw**

The Daisy cast iron fireplace insert is a Late Victorian design, with a rectangular shape and curved frame that is decorated with highlighted intertwining vines. The corners of the frame are marked by floral patterns, which are matched at the mid-point of each leg.

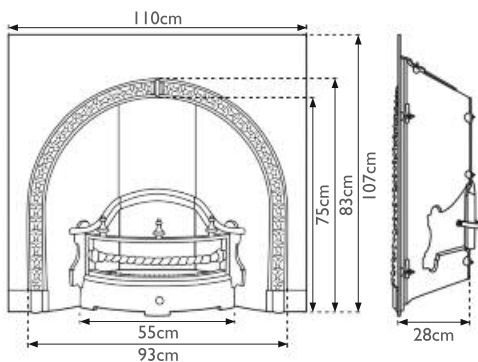


## The Kensington Insert



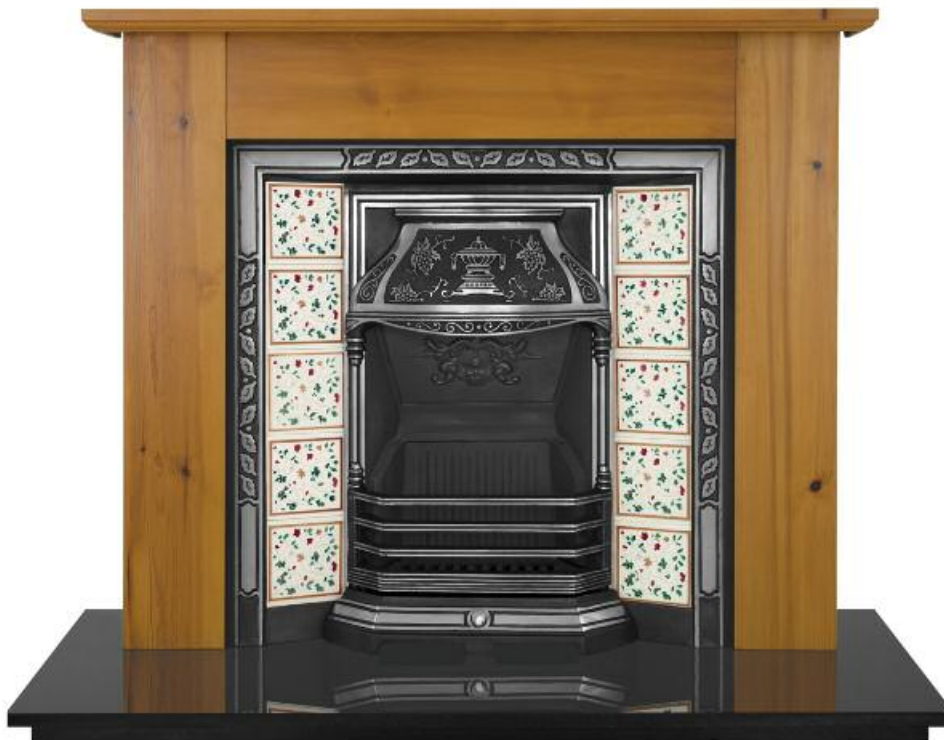
Code: **RX110** Finish: **Brass Trim Highlight** Surround: **RX101**  
Ashpan: **HEF038** Hearth: **HEF286** Solid Fuel Brick: **RX237**  
Gas Fire available to suit: **NUF055** Flue Type: **Class 1 only**  
Gas Fire Heat Input: **9kw**

The Kensington cast iron fireplace insert is an attractive neat design in the Georgian style. The archway has a fine subtle decorative trim, highlighted by the brass trim finish and complimented by the rope twist bars that curve around the front of the basket.





# The Laurel Insert

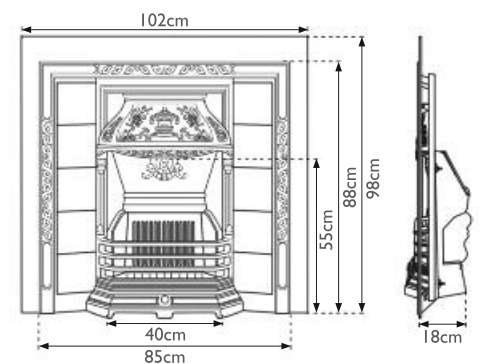


Also Available:  
 Code: **HEF343** Finish: **Black**  
 Surround: **SMC107**  
 Tiles: **LGC094**



Code: **HEF341** Finish: **Highlight Polish** Surround: **SMC107**  
 Tiles: **LGC094** Ashpan: **HEF037** Hearth: **HEF285**  
 Gas Fire available to suit: **NUF036** Flue Type: **Class 1 or 2**  
 Gas Fire Heat Input: **6.9kw**

The Laurel is a Late Victorian cast iron fireplace insert. Its grand canopy is decorated with a fruit and urn detail and is made to look all the more prominent by the connecting pillars that run down to the robust basket at the foot of the opening.

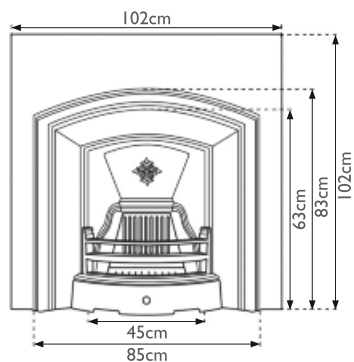


# The London Plate Insert



Also Available:  
Code: **RX092** Finish: **Black** (above)

Code: **RX205**  
Finish: **Highlight Polish** (below)  
Surround: **SMC103**



Code: **RX091** Finish: **Full Polish** Surround: **SMC103**  
Ashpan: **HEF036** Solid Fuel Brick: **RX222** Hearth: **HEF286**  
Gas Fire available to suit: **NUF005** Flue Type: **Class 1 or 2**  
Gas Fire Heat Input: **6.9kw**

The London Plate is an Early Victorian cast iron fireplace insert, with an elegantly simple and wide half-arched opening. The curve of the basket perfectly matches the design of the arch's frame, giving the insert an undoubtedly appealing appearance.

# The London Plate Insert (wide opening)

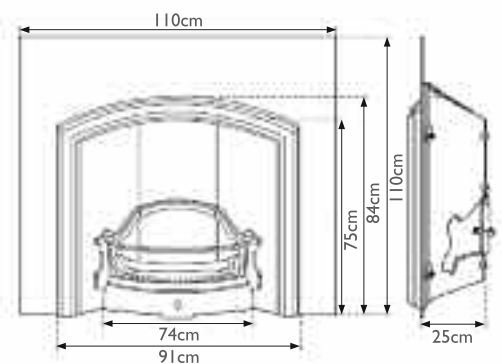


Also Available:  
Code: **RX143** Finish: **Black**  
Surround: **SMC177**



Code: **RX142** Finish: **Full Polish** Surround: **RX112**  
Ashpan: **HEF038** Solid Fuel Brick: **RX237** Hearth: **HEF286**  
Gas Fire available to suit: **NUF068** Flue Type: **Class I only**  
Gas Fire Heat Input: **6.9kw**

The London Plate is an Early Victorian cast iron fireplace insert, with an elegantly simple and wide half-arched opening. The curve of the basket perfectly matches the design of the arch's frame, giving the insert an undoubtedly appealing appearance.

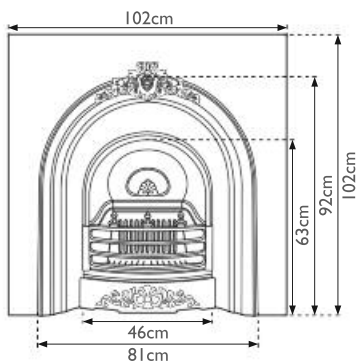


# The Prince Insert



Code: **RX088** Finish: **Black** Surround: **RX256**  
Ashpan: **HEF036** Solid Fuel Brick: **RX216** Hearth: **HEF285**  
Gas Fire available to suit: **NUF006** Flue Type: **Class 1 or 2**  
Gas Fire Heat Input: **6.95kw**

The Prince is an Early Victorian cast iron fireplace insert. The arched opening is decorated at the top with eye catching detail, further emphasised by the classic simplicity of the insert. The basket and ashpan cover blend in perfectly, with curved bars and floral artwork.

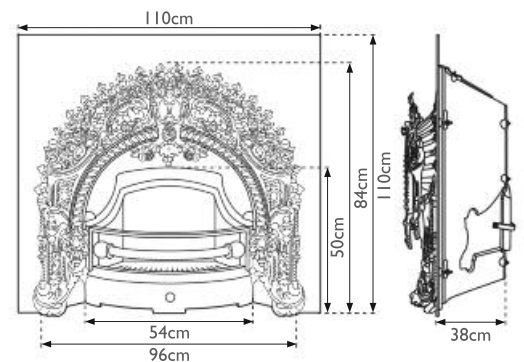


# The Rococo Insert



Code: **RX263** Finish: **Black** Surround: **RX101**  
Ashpan: **HEF038** Hearth: **HEF285** Solid Fuel Brick: **RX237**  
Gas Fire available to suit: **NUF068** Flue Type: **Class I only**  
Gas Fire Heat Input: **9kw**

The Rococo is a cast iron fireplace insert with its own unique style. The spectacularly intricate detail that surrounds the rounded arch demonstrates the highest level of design that can be achieved through casting.



# The Royal Insert (narrow opening)

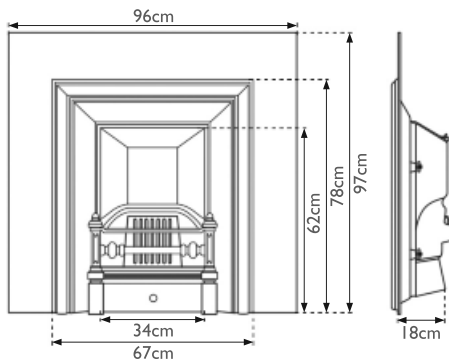


Also Available:  
Code: **RX128** Finish: **Black**  
Surround: **RX257**



Code: **RX127** Finish: **Full Polish** Surround: **RX144**  
Ashpan: **HEF037** Hearth: **HEF285**  
Gas Fire available to suit: **NUF070** Flue Type: **Class 1 or 2**  
Gas Fire Heat Input: **6.3kw**

The Royal is a cast iron fireplace insert in the Georgian style. It is an imposing, straight-edged insert that, with its bold shape and square opening, is sure to immediately command attention. At 96cm x 97cm, the Royal Narrow is a slightly smaller version of the Royal Wide (102cm x 102cm).



# The Royal Insert



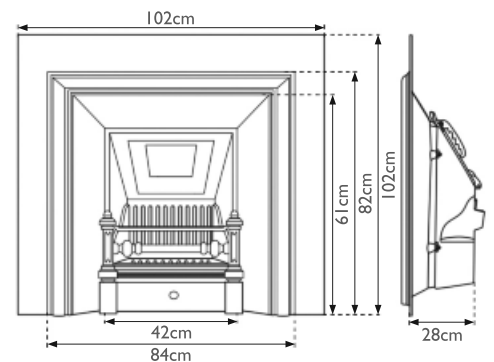
Also Available:  
Code: **RX283**  
Finish: **Highlight Polish** (above)

Code: **RX129**  
Finish: **Full Polish** (below)  
surround: **RX100**



Code: **RX130** Finish: **Black** Surround: **RX101**  
Ashpan: **HEF036** Hearth: **HEF286** Solid Fuel Brick: **RX221**  
Gas Fire available to suit: **NUF014** Flue Type: **Class 1 or 2**  
Gas Fire Heat Input: **6.95kw**

The Royal is a cast iron fireplace insert in the Georgian style. It is an imposing, straight-edged insert that, with its bold shape and square opening, is sure to immediately command attention.

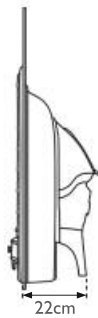
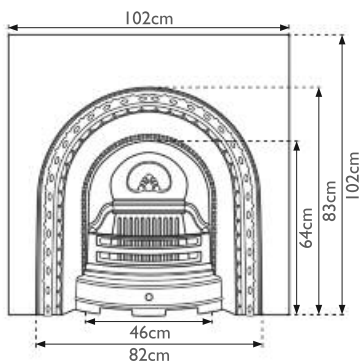


# The Scotia Insert



Code: **RX087** Finish: **Black** Surround: **RX257**  
Ashpan: **HEF036** Hearth: **HEF285** Solid Fuel Brick: **RX216**  
Gas Fire available to suit: **NUF006** Flue Type: **Class 1 or 2**  
Gas Fire Heat Input: **6.95kw**

The Scotia is a cast iron fireplace insert in the Early Victorian style. The opening to The Scotia is surrounded by an ornately decorated double archway.



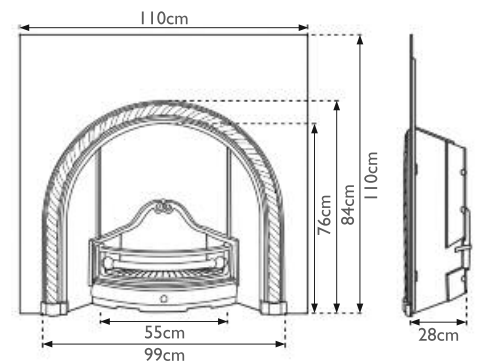


# The Westminster Insert

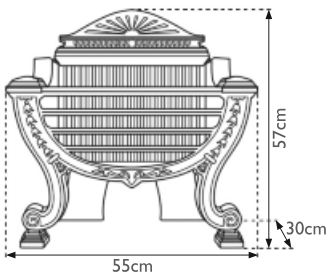


Code: **RX114** Finish: **Highlight Polish** Surround: **RX101**  
Ashpan: **HEF038** Hearth: **HEF286** Solid Fuel Brick: **RX236**  
Gas Fire available to suit: **NUF045** Flue Type: **Class I only**  
Gas Fire Heat Input: **9kw**

The Westminster is a cast iron fireplace insert in the Georgian style. The outline of its wide archway is decorated with a twisted rope and floral detail, whilst the basket base has a complimentary rope design.

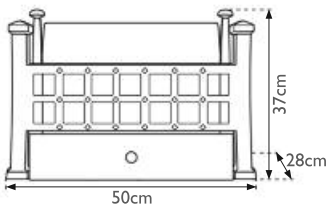


# The Balmoral Basket



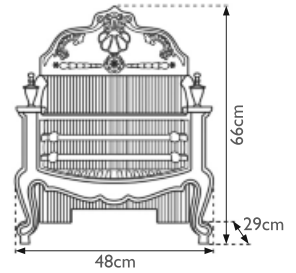
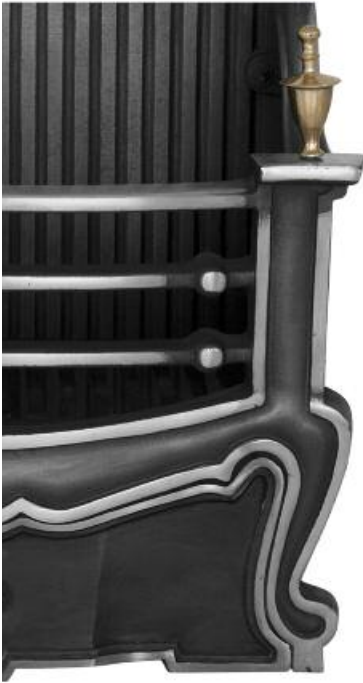
Code: **RX005** Finish: **Highlight Polish**  
Ashpan Cover to suit: **RX203**  
Gas Fire available to suit: **NUF012**  
Flue Type: **Class I Only**  
Gas Fire Heat Input: **9kw**

# The Clyde Basket



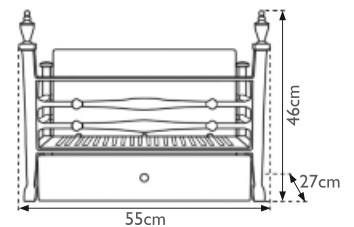
Code: **RX150** Finish: **Black** (above)  
Also Available: Code: **RX148** Finish: **Full Polish** (right)  
Ashpan: **HEF042** Solid Fuel Brick: **RX239**  
Gas Fire available to suit: **NUF002** Flue Type: **Class I Only**  
Gas Fire Heat Input: **9.4kw**

# The Dorchester Basket



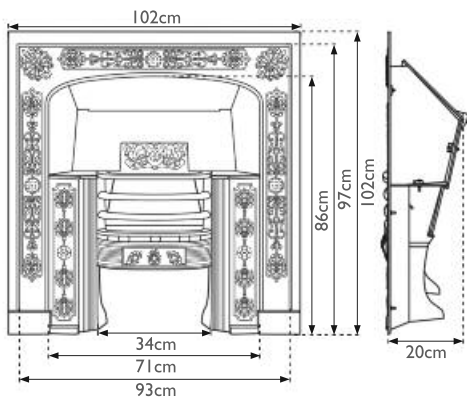
Code: **RX004** Finish: **Highlight Polish**  
Ashpan Cover to suit: **RX202**  
Gas Fire available to suit: **NUF011**  
Flue Type: **Class I Only**  
Gas Fire Heat Input: **9.4kw**

# The Georgian Basket



Code: **RX149** Finish: **Full Polish** (above)  
Also Available: Code: **RX151** Finish: **Black** (left)  
Ashpan: **DJX040** Solid Fuel Brick: **RX239**  
Gas Fire available to suit: **NUF004** Flue Type: **Class I Only**  
Gas Fire Heat Input: **9.4kw**

# The Queensferry Hob Grate



Code: **HEF203** Finish: **Black** Surround: **SMC177**

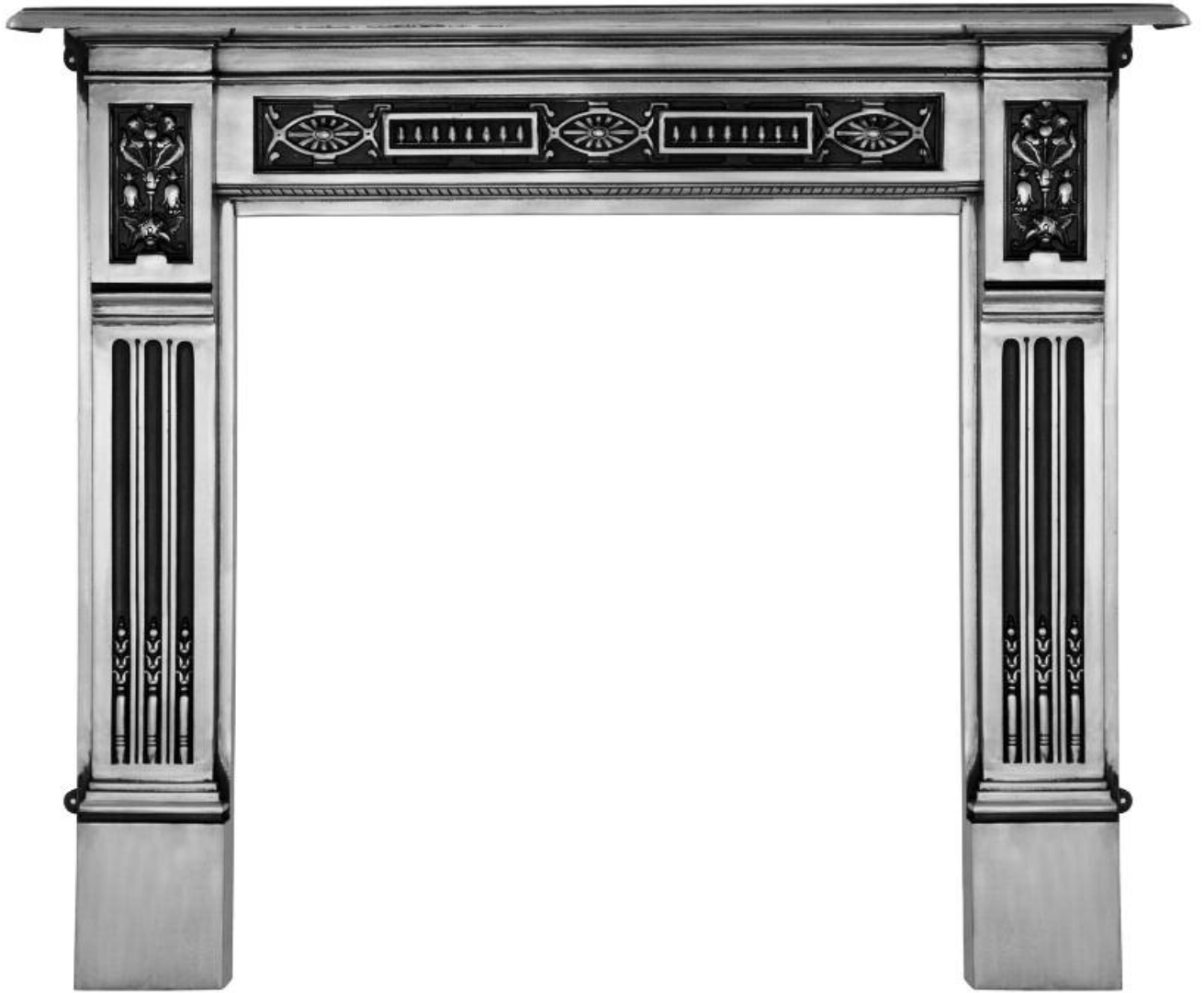
Hearth: **HEF284**

Gas Fire available to suit: **NUF037** Flue Type: **Class 1 or 2**

Gas Fire Heat Input: **6.3kw**

The Queensferry is a traditional cast iron hob grate. Its uniquely raised basket with triple bar cover is supported by decorative panels that are mirrored along the insert's frame. A floral pendant is positioned in each top corner, combining with a matching horizontal plaque to complete the design.

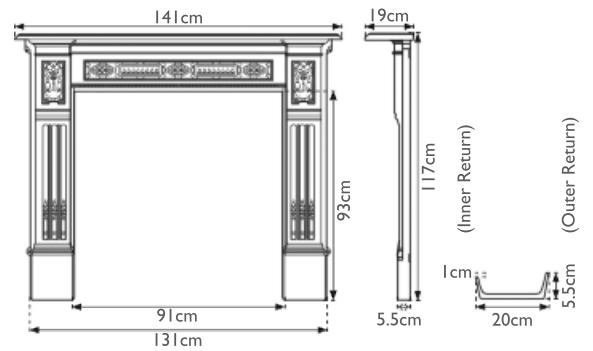
# The Albert Surround



Code: RX065 Finish: Full Polish



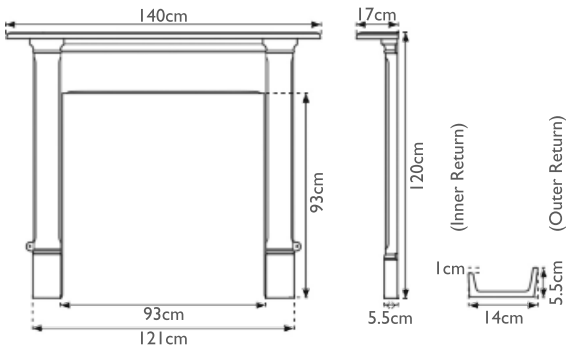
Also Available:  
Code: RX121 Finish: Black



# The Alice Surround



Code: **RX256** Finish: **Black**



Also Available:  
Code: **RX067** Finish: **Full Polish**

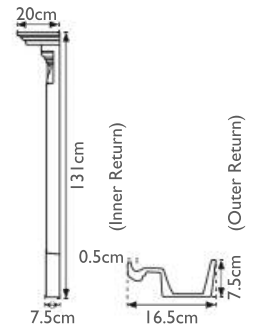
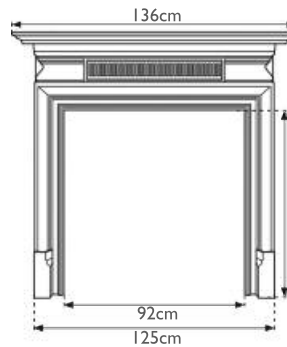
# The Belgrave Surround



Code: **RX144** Finish: **Full Polish**



Also Available:  
Code: **RX257** Finish: **Black**



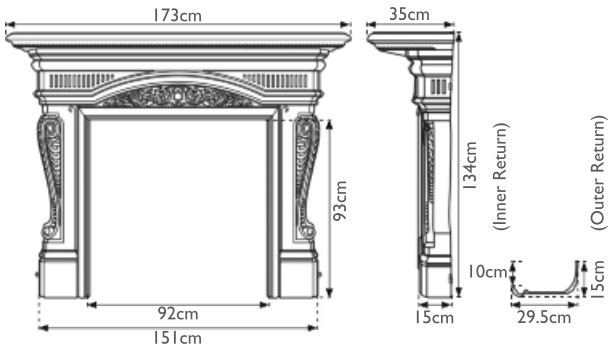
(Inner Return)

(Outer Return)

# The Buckingham Surround



Code: RX295 Finish: Black

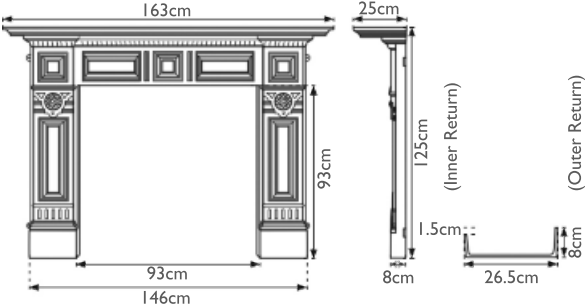




# The Hampton Surround



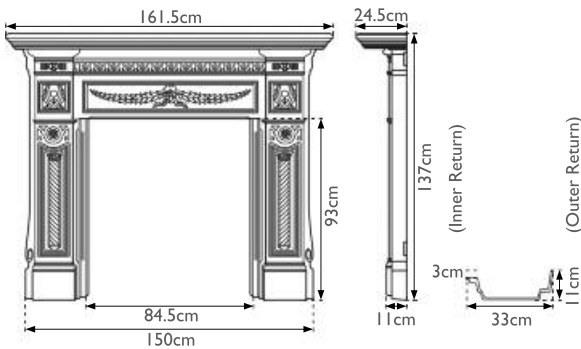
Code: HEF311 Finish: Black



# The Holyrood Surround



Code: HEF349 Finish: Highlight Polish



Also Available:  
Code: HEF345 Finish: Black



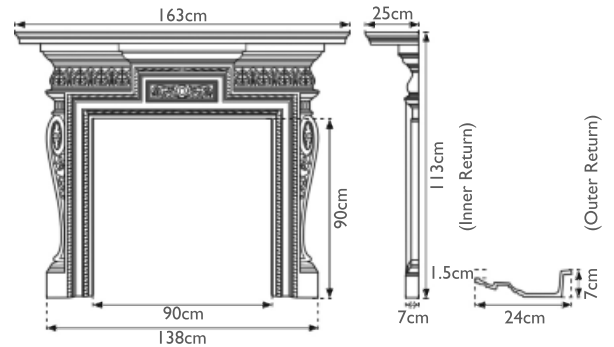
# The Knightsbridge Surround



Code: HEF062 Finish: Full Polish



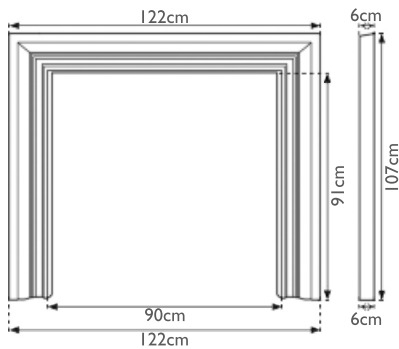
Also Available:  
Code: HEF356 Finish: Black



# The Loxley Surround



Code: **RX320** Finish: **Full Polish**

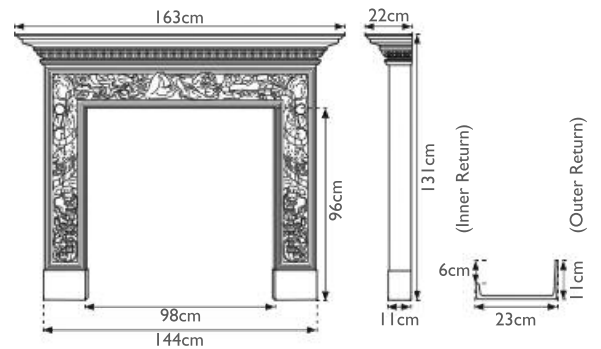


Also Available:  
Code: **RX321** Finish: **Black**

# The Mayfair Surround



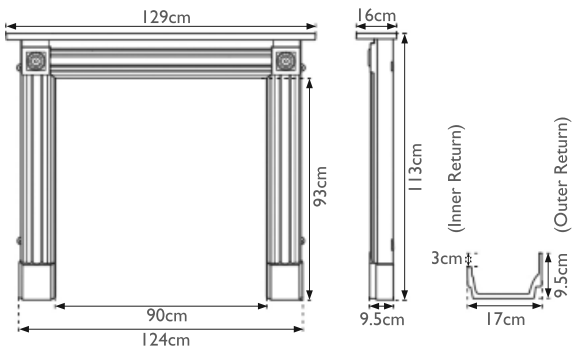
Code: RX112 Finish: Full Polish



# The Regent Surround



Code: RX255 Finish: Black



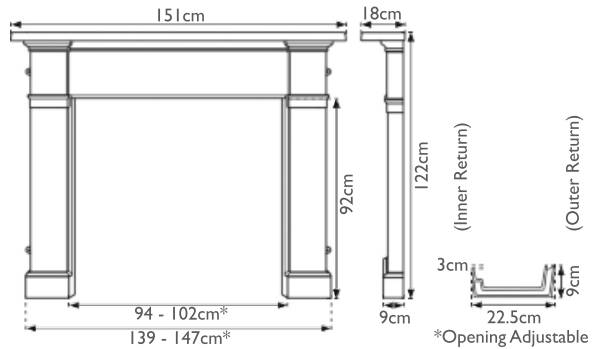
# The Somerset Surround



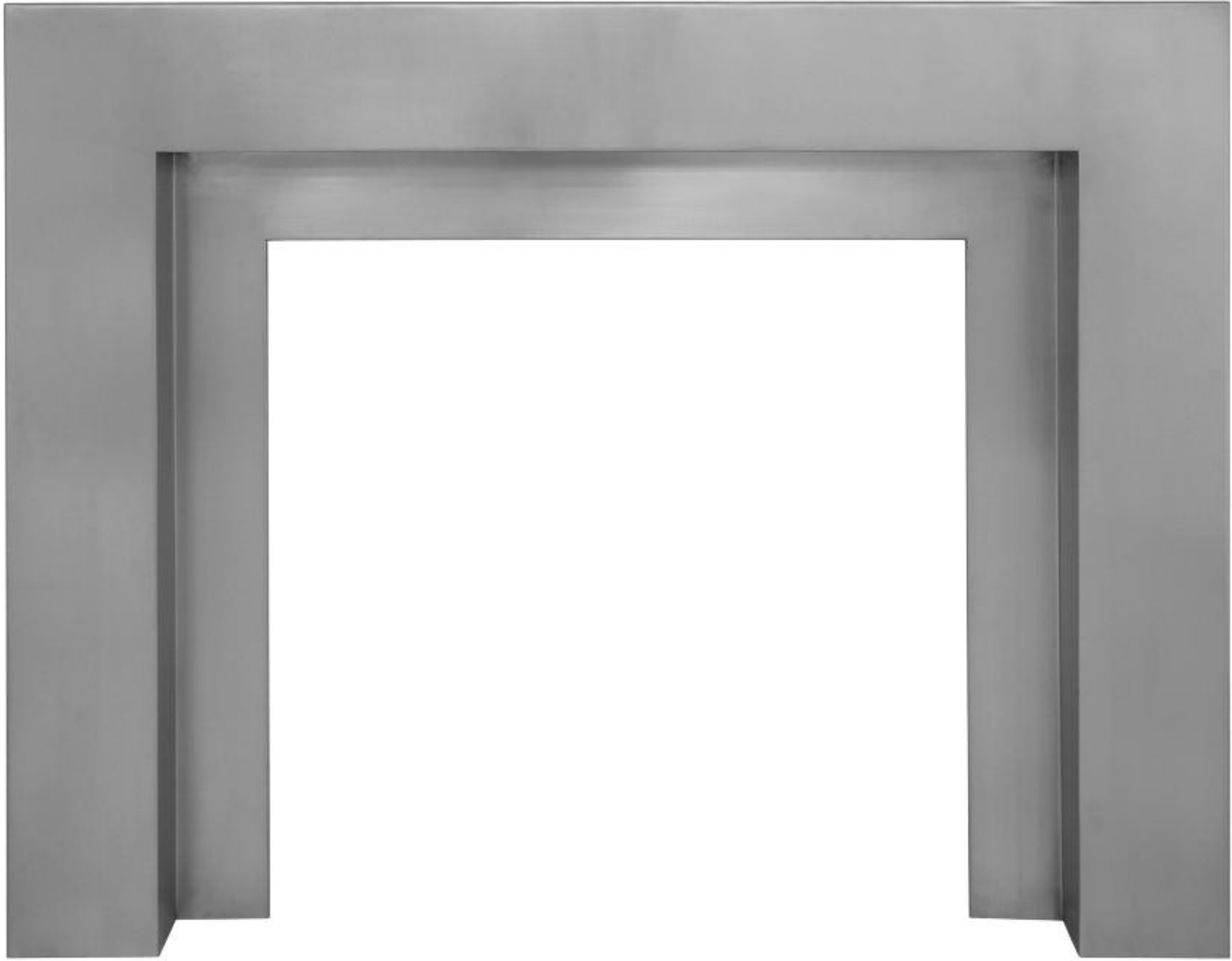
Code: **RX101** Finish: **Black**



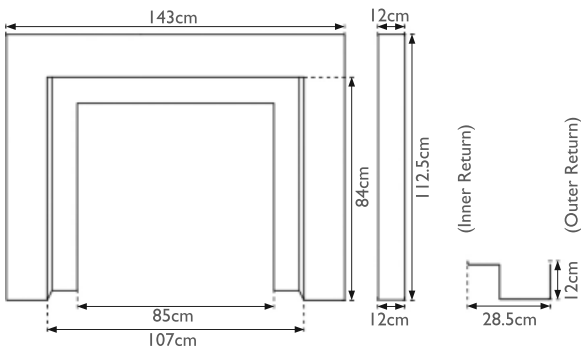
Also Available:  
Code: **RX100** Finish: **Full Polish**



# The Sherbourne Surround



Code: **SS018** Finish: **Brushed Stainless Steel**





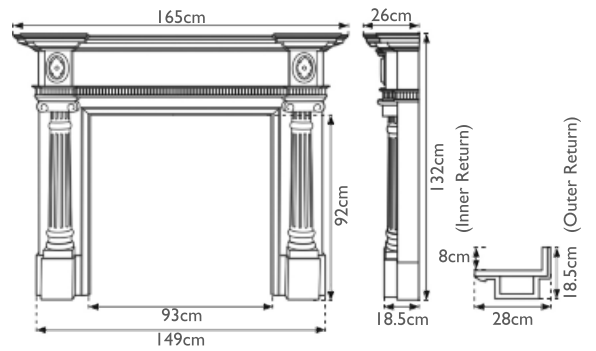
# The Ashleigh Surround



Code: **SMC094** Finish: **Unfinished Solid Oak**



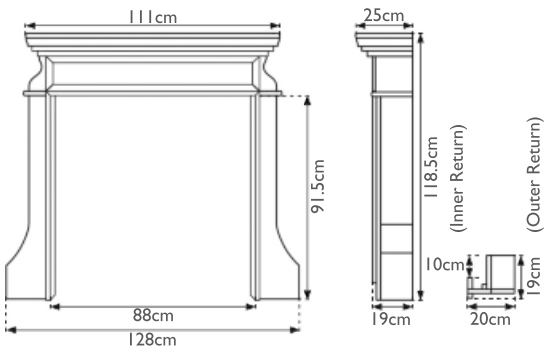
Also Available: Code: **SMC095**  
Finish: **Distressed Solid Oak**



# The Clive Surround



Code: **SMC188** Finish: **Waxed Solid Oak**

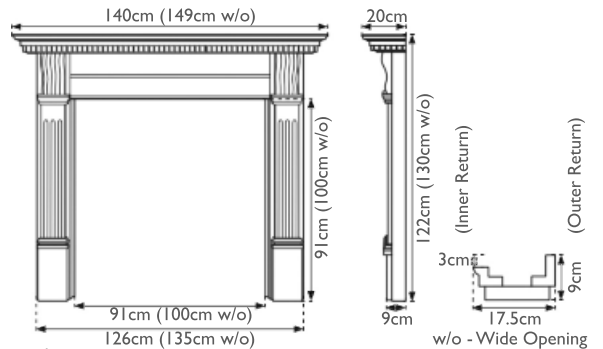


Also Available: Code: **SMC192**  
Finish: **Unwaxed Solid Oak**

# The Corbel Surround



Code: **SMC118** Finish: **Waxed Solid oak** Also Available: Code: **SMC173** Finish: **Unwaxed Solid Oak**  
 Code: **SMC179 Wide Opening** Finish: **Waxed Oak**  
 Code: **SMC180 Wide Opening** Finish: **Unwaxed Oak**

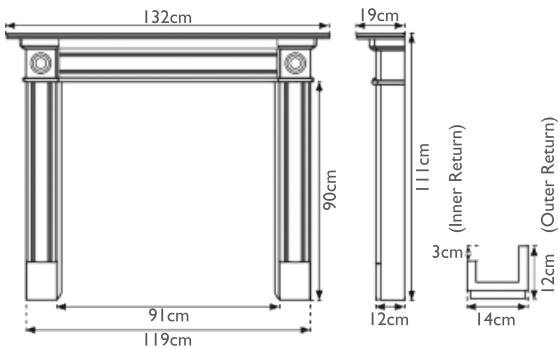


Also Available: Code: **SMC014** (above)  
 Finish: **Unwaxed Pine**  
 Code: **SMC007** (left)  
 Finish: **Waxed Solid Pine**

# The Derry Surround



Code: **SMC002** Finish: **Waxed Solid Pine**

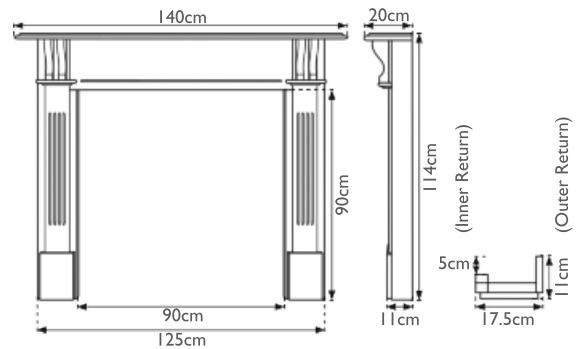


Also Available: Code: **SMC012**  
Finish: **Unwaxed Solid Pine** (above)  
Code: **SMC119**  
Finish: **Waxed Solid Oak** (right)

# The Earlswood Surround



Code: SMC103 Finish: Distressed Solid Oak

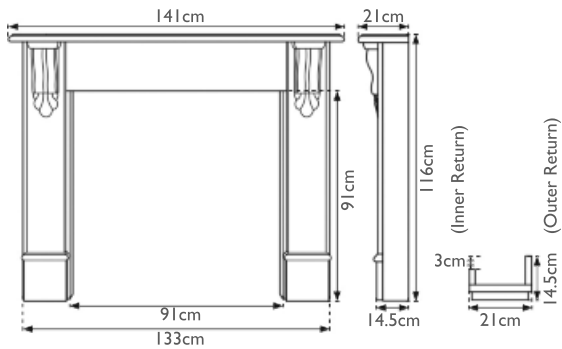


# The Edinburgh Corbel Surround



Code: **SMC116** Finish: **Waxed Solid Oak**

Also Available: Code: **SMC172** Finish: **Unwaxed Solid Oak**



Also Available: Code: **SMC018**

Finish: **Unwaxed Solid Pine** (above)

Code: **SMC011**

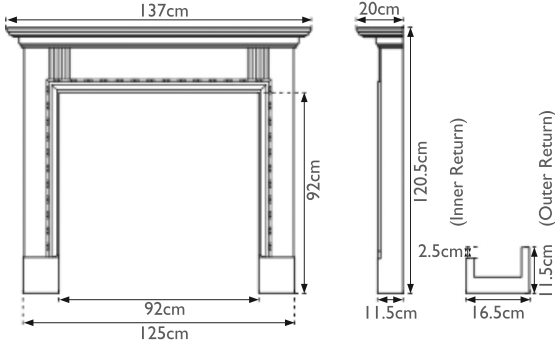
Finish: **Waxed Solid Pine** (right)



# The Elsmere Surround



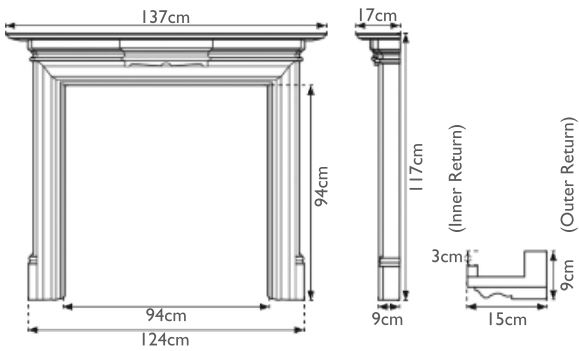
Code: SMC181 Finish: Distressed Solid Oak



# The Grand Surround



Code: **SMC117** Finish: **Waxed Solid Oak**





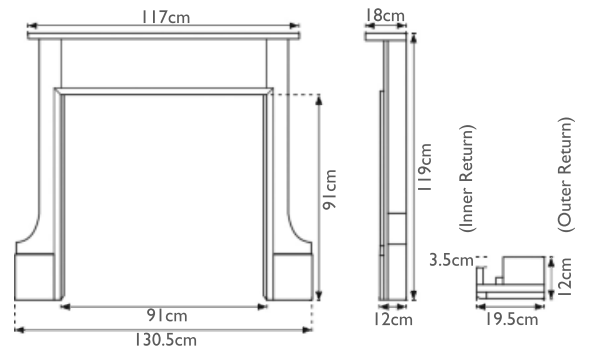
# The Milton Surround



Code: **SMC185** Finish: **Waxed Solid Oak**



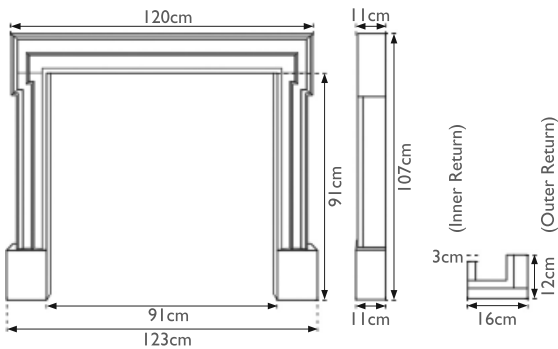
Also Available: Code: **SMC189**  
Finish: **Unwaxed Solid Oak**



# The Palladio Surround



Code: **SMC187** Finish: **Waxed Solid Oak**



Also Available: Code: **SMC191**  
Finish: **Unaxed Solid Oak**

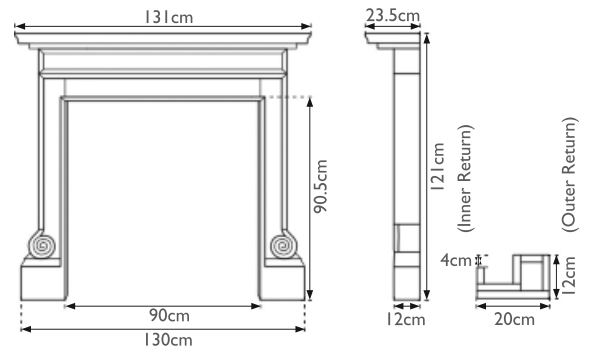
# The Volute Surround



Code: **SMC186** Finish: **Waxed Solid Oak**



Also Available: Code: **SMC190**  
Finish: **Unwaxed Solid Oak**



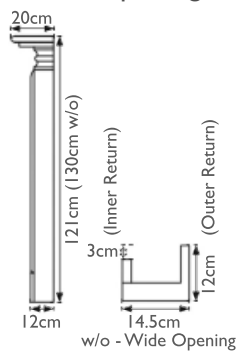
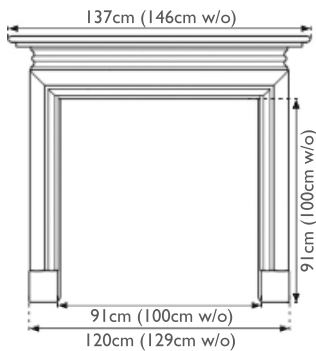
# The Wessex Surround



Code: **SMC171** Finish: **Waxed Solid Oak**

Also Available: Code: **SMC177 Wide Opening** Finish: **Waxed Oak**

Code: **SMC178 Wide Opening** Finish: **Unwaxed Oak**



Also Available: Code: **SMC110**  
Finish: **Waxed Solid Pine** (above)

Code: **SMC111**  
Finish: **Unwaxed** (right)

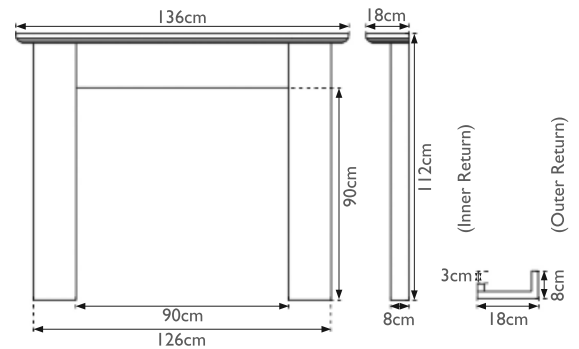
# The Wexford Surround



Code: **SMC120** Finish: **Waxed Solid Oak**



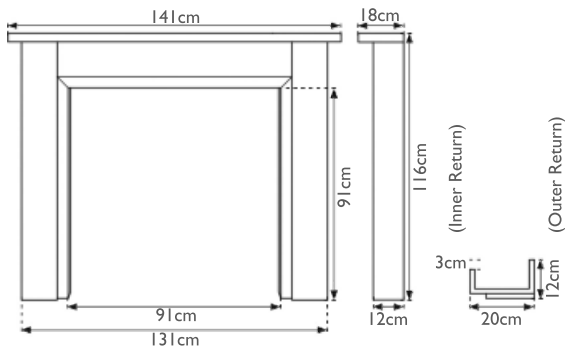
Also Available: Code: **SMC106**  
Finish: **Unwaxed Pine** (above)  
Code: **SMC107**  
Finish: **Waxed Solid Pine** (left)



# The Colorado Surround



Code: TH737 Finish: Weathered Acacia

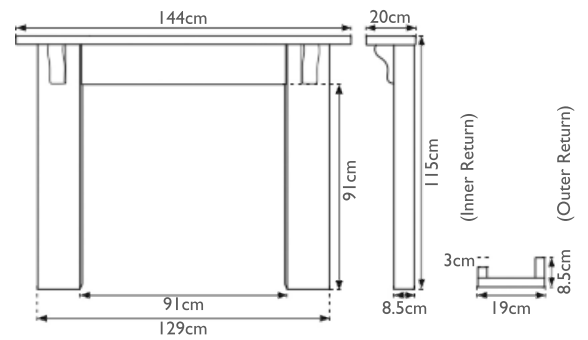


Also Available: Code: TH552  
Finish: Natural Solid Sheesham

# The Elm Corbel Surround



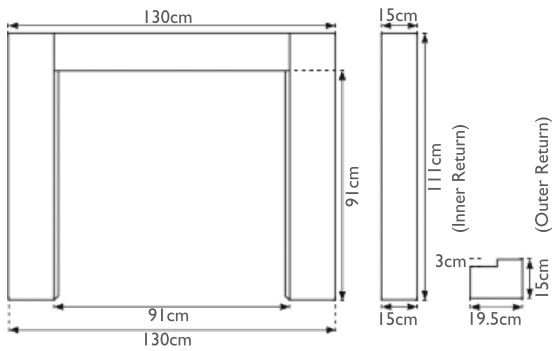
Code: HEF023 Finish: Reclaimed Solid Elm



# The Manhattan Surround



Code: TH555 Finish: Distressed Solid Acacia





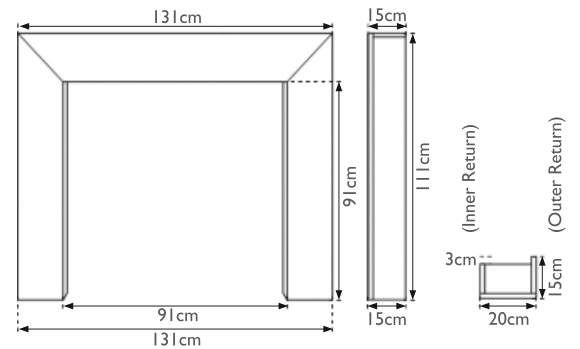
# The Nevada Surround



Code: **TH739** Finish: **Weathered Acacia**



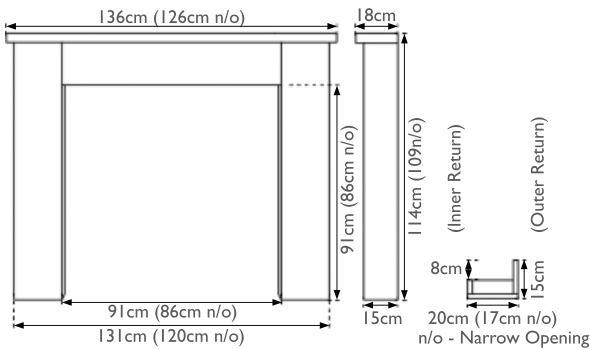
Also Available: Code: **TH551**  
Finish: **Natural Solid Sheesham**



# The New England Surround



Code: **TH738** Finish: **Weathered Acacia**



Also Available: Code: **TH578**  
Finish: **Dark Solid Fruit Wood**  
Code: **TH736** Narrow Opening  
Finish: **Dark Solid Fruit Wood**

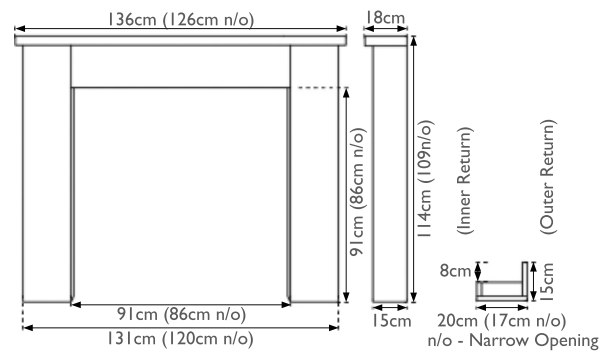
# The New England Surround



Code: **TH558** Finish: **Solid Stone Sheesham**  
 Also Available: Code: **TH577** **Narrow Opening** Finish: **Solid Stone Sheesham**



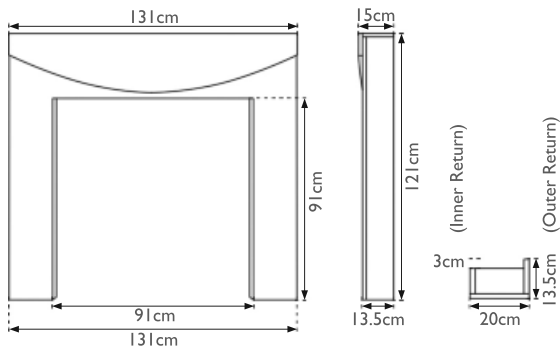
Also Available: Code: **TH556**  
 Finish: **Natural Solid Acacia** (above)  
 Code: **TH812**  
 Finish: **Solid Stone Sheesham**  
 with **Copper Cloak Shelf** (left)



# The New Hampshire Surround



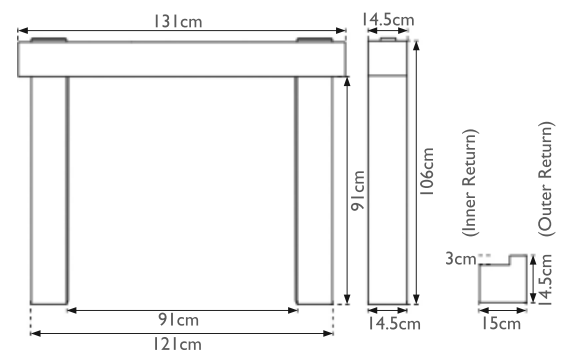
Code: TH559 Finish: Natural Solid Sheesham



# The New York Surround



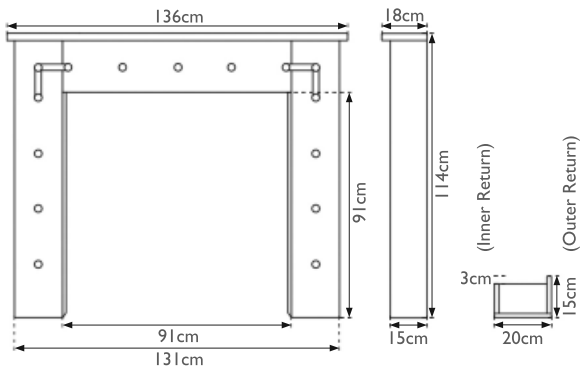
Code: TH554 Finish: Distressed Solid Acacia



# The Thakat Surround



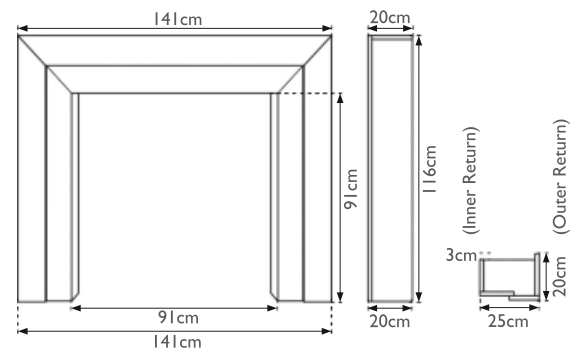
Code: TH557 Finish: Chestnut Solid Acacia



# The Vermont Surround



Code: TH553 Finish: Natural Solid Sheesham



# Hearths



Absolute Black Granite (above)

1 Piece Hearths		4 Piece Hearths	
Size (cm)	Code	Size (cm)	Code
92 x 38	HEF281	127 x 38	HEF288
107 x 38	HEF282	132 x 38	HEF289
127 x 38	HEF283	137 x 38	HEF290
132 x 38	HEF284	137 x 46	HEF087
137 x 38	HEF285	152 x 46	HEF089
137 x 46	HEF088	Slip Under	HEF299
152 x 46	HEF286		
Slip Under	HEF299		



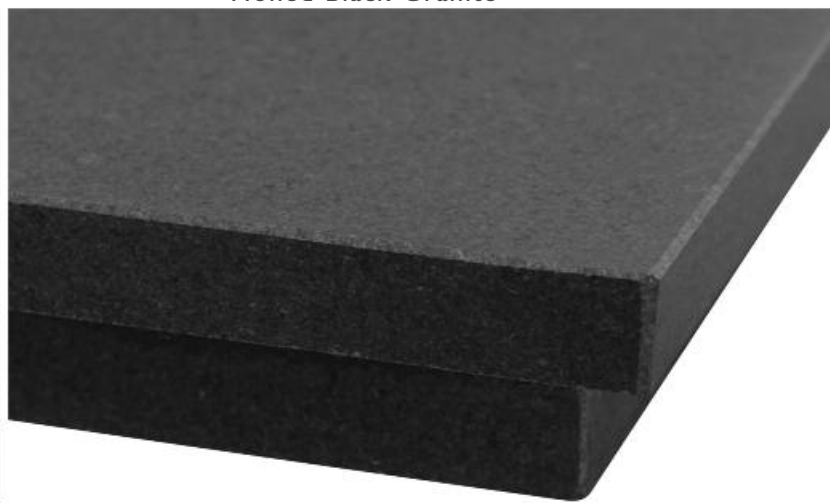
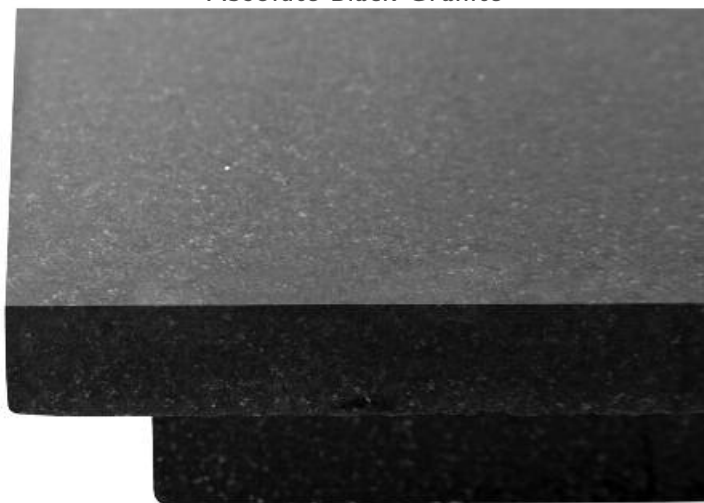
Honed Black Granite (above)

1 Piece Hearths		4 Piece Hearths	
Size (cm)	Code	Size (cm)	Code
92 x 38	HEF423	127 x 38	HEF425
107 x 38	HEF424	137 x 46	HEF420
137 x 46	HEF421	152 x 46	HEF422
Slip Under	HEF426	Slip Under	HEF426

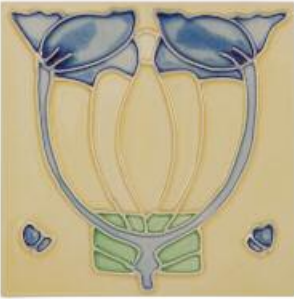
HEF427 Honed Black Granite 3 Piece Back Panel 97x97cm (Opening 42x55cm)

Absolute Black Granite

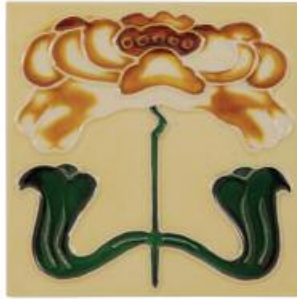
Honed Black Granite







Code:  
LGC089



Code:  
LGC084



Code:  
LGC090



Code:  
LGC085



Code:  
LGC003



Code:  
LGC042



Code:  
LGC091



Code:  
LGC094



Code:  
LGC088



Code:  
LGC092



Code:  
LGC095



Code:  
LGC008



Code:  
LGC021



Code:  
LGC029



Code:  
LGC093

All of our tube lined tiles are hand painted. The crazing that appears in the glaze is a natural characteristic for this type of product.

# Tiles



Code:  
LGC065



Code:  
LGC067



Code:  
LGC072



Code:  
LGC078



Code:  
LGC079



Code:  
LGC080



Code:  
LGC081



Code:  
LGC086



Code:  
LGC018



Code:  
LGC016



Code:  
LGC011



Code:  
LGC012



Code:  
LGC014



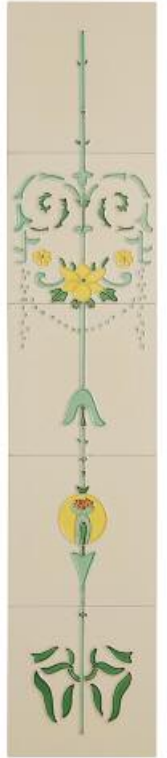
Code:  
LGC015



Code:  
LGC083



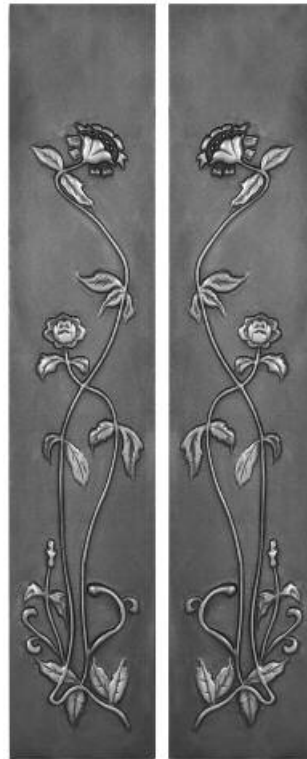
Code:  
LGC087



Code:  
LGC013



Code:  
RX080



Code:  
HEF319



Code:  
RX081

SIMPLY SOME OF THE FINEST  
FIREPLACES AVAILABLE



For your nearest stockist:

Freephone: 0808 129 2224 or visit: [www.carron.uk.net](http://www.carron.uk.net)